

# Hundu Cup 07.04.2019 Tallinn F-35

Competitors: 1

## Competitors

#	Name	Grade	Club	1	Wins	Pts	Pos
1	KÄHR Karl Kristjan (33,90)	?	Oskar		0	0	1

## Matches

Match	White	Blue	Result	Time
-------	-------	------	--------	------

## Results

Pos	Name
1	KÄHR Karl Kristjan, Oskar

# Hundu Cup 07.04.2019 Tallinn F-29

Competitors: 5

## Competitors

#	Name	Grade	Club	1	2	3	4	5	Wins	Pts	Pos
1	HANSSON Kaspar (28,30)	?	Oskar				10	10	2	20	3
2	BAKLER Mikk (29,00)	?	Oskar	10			10	10	3	30	2
3	RADION Krasnov (29,00)	?	Igor	10	10		10	10	4	40	1
4	KÄHR Karl Kristjan (33,90)	?	Oskar					1	1	1	3
5	KASKPEIT Ruben (26,70)	?	Oskar						0	0	5

## Matches

Match	White	Blue	Result	Time
1	KÄHR Karl Kristjan 4 5	KASKPEIT Ruben	10-00	0:00
2	HANSSON Kaspar 1 2	BAKLER Mikk	00-10	0:00
3	RADION Krasnov 3 4	KÄHR Karl Kristjan	10-00	0:00
4	HANSSON Kaspar 1 5	KASKPEIT Ruben	10-01	0:00
5	BAKLER Mikk 2 3	RADION Krasnov	01-10	0:00
6	HANSSON Kaspar 1 4	KÄHR Karl Kristjan	10-01	0:00
7	RADION Krasnov 3 5	KASKPEIT Ruben	10-00	0:00
8	BAKLER Mikk 2 4	KÄHR Karl Kristjan	10-00	0:00
9	HANSSON Kaspar 1 3	RADION Krasnov	00-10	0:00
10	BAKLER Mikk 2 5	KASKPEIT Ruben	10-00	0:00

## Results

Pos	Name
1	RADION Krasnov, Igor
2	BAKLER Mikk, Oskar
3	HANSSON Kaspar, Oskar
3	KÄHR Karl Kristjan, Oskar
5	KASKPEIT Ruben, Oskar

# Hundu Cup 07.04.2019 Tallinn F-25

Competitors: 5

## Competitors

#	Name	Grade	Club	1	2	3	4	5	Wins	Pts	Pos
1	PÄRNAMETS Samuel (24,20)	6.kyu	Oliver				10	10	2	20	3
2	LEHIS Theodor Thore (24,30)	?	Rain	10		10	10	10	4	40	1
3	GULLA Viacheslav (25,00)	?	Oskar	10			10	10	3	30	2
4	SANG Otto (24,90)	?	Oliver						0	0	5
5	MILLEND Helene Mia (25,00)	?	Oliver				10		1	10	3

## Matches

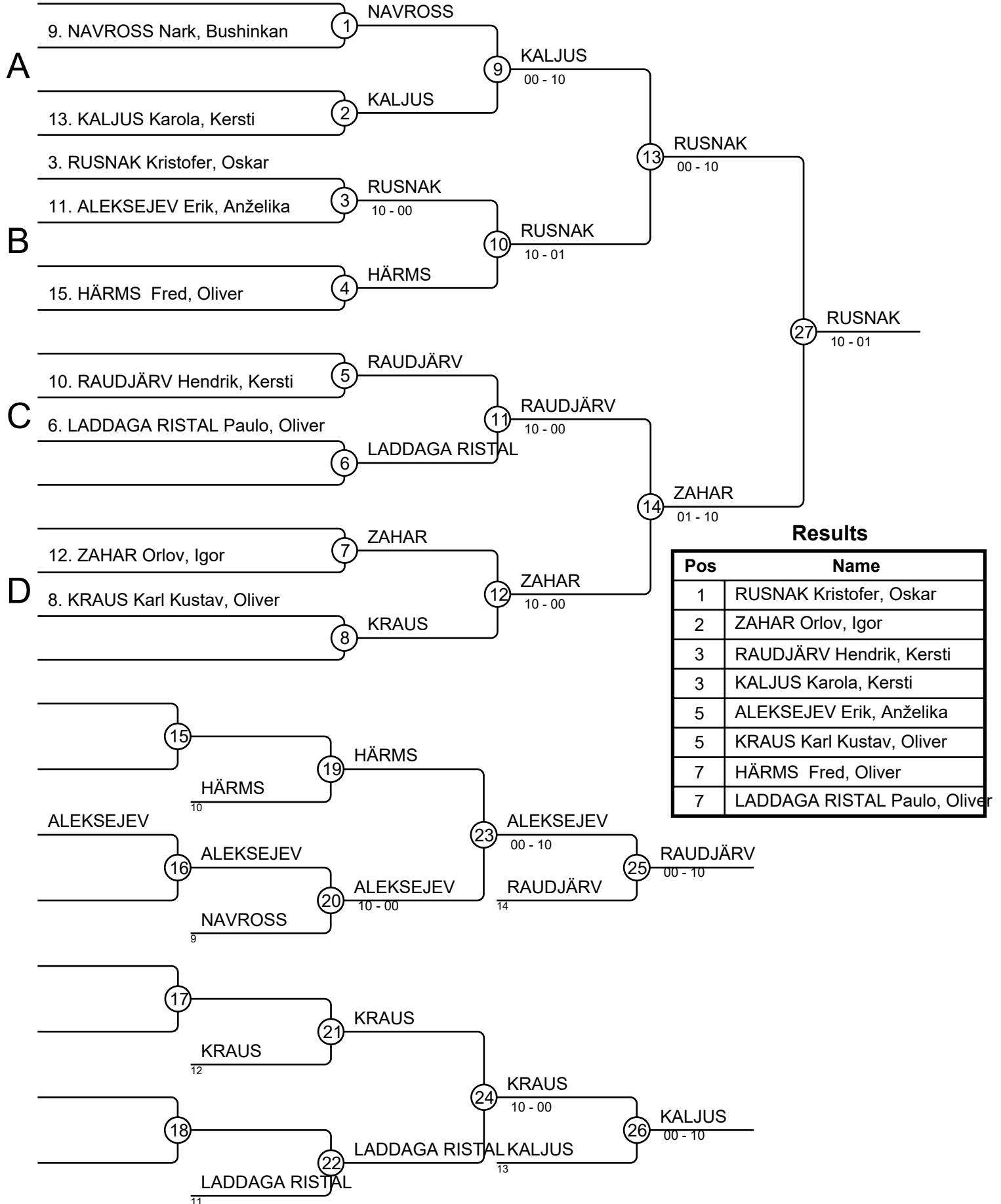
Match	White			Blue	Result	Time
1	SANG Otto	4	5	MILLEND Helene Mia	01-10	0:00
2	PÄRNAMETS Samuel	1	2	LEHIS Theodor Thore	00-10	0:00
3	GULLA Viacheslav	3	4	SANG Otto	10-00	0:00
4	PÄRNAMETS Samuel	1	5	MILLEND Helene Mia	10-00	0:17
5	LEHIS Theodor Thore	2	3	GULLA Viacheslav	10-01	0:00
6	PÄRNAMETS Samuel	1	4	SANG Otto	10-00	0:00
7	GULLA Viacheslav	3	5	MILLEND Helene Mia	10-01	0:00
8	LEHIS Theodor Thore	2	4	SANG Otto	11-00	0:00
9	PÄRNAMETS Samuel	1	3	GULLA Viacheslav	01-10	0:00
10	LEHIS Theodor Thore	2	5	MILLEND Helene Mia	10-00	0:00

## Results

Pos	Name
1	LEHIS Theodor Thore, Rain
2	GULLA Viacheslav, Oskar
3	PÄRNAMETS Samuel, Oliver
3	MILLEND Helene Mia, Oliver
5	SANG Otto, Oliver

# Hundu Cup 07.04.2019 Tallinn F-23

Competitors: 9



# Hundu Cup 07.04.2019 Tallinn E-42

Competitors: 4

## Competitors

#	Name	Grade	Club	1	2	3	4	Wins	Pts	Pos
1	ADULAS Ats (41,30)	?	Rain		1	1	1	3	3	1
2	KIVIMÄE Kevin-Oskar (40,50)	?	Rain					0	0	3
3	VENTSLI Herman (38,60)	?	Madis		1		1	2	2	2
4	TAMME Riko (39,90)	?	Madis		1			1	1	3

## Matches

Match	White		Blue		Result	Time
1	ADULAS Ats	1	2	KIVIMÄE Kevin-Oskar	10-00	0:42
2	VENTSLI Herman	3	4	TAMME Riko	10-00	1:20
3	ADULAS Ats	1	3	VENTSLI Herman	10-01	3:00
4	KIVIMÄE Kevin-Oskar	2	4	TAMME Riko	00-10	0:47
5	ADULAS Ats	1	4	TAMME Riko	10-00	2:45
6	KIVIMÄE Kevin-Oskar	2	3	VENTSLI Herman	00-10	3:00

## Results

Pos	Name
1	ADULAS Ats, Rain
2	VENTSLI Herman, Madis
3	TAMME Riko, Madis
3	KIVIMÄE Kevin-Oskar, Rain

# Hundu Cup 07.04.2019 Tallinn E-37

Competitors: 4

## Competitors

#	Name	Grade	Club	1	2	3	4	Wins	Pts	Pos
1	VELKS Henry (33,60)	?	Rain					0	0	3
2	SUITS Lukas (36,30)	?	Rain	1		1	1	3	3	1
3	LUNJOV Edvin (34,00)	?	Marek	1			1	2	2	2
4	VIRVELAID Grete Maria (38,00)	?	Madis	1				1	1	3

## Matches

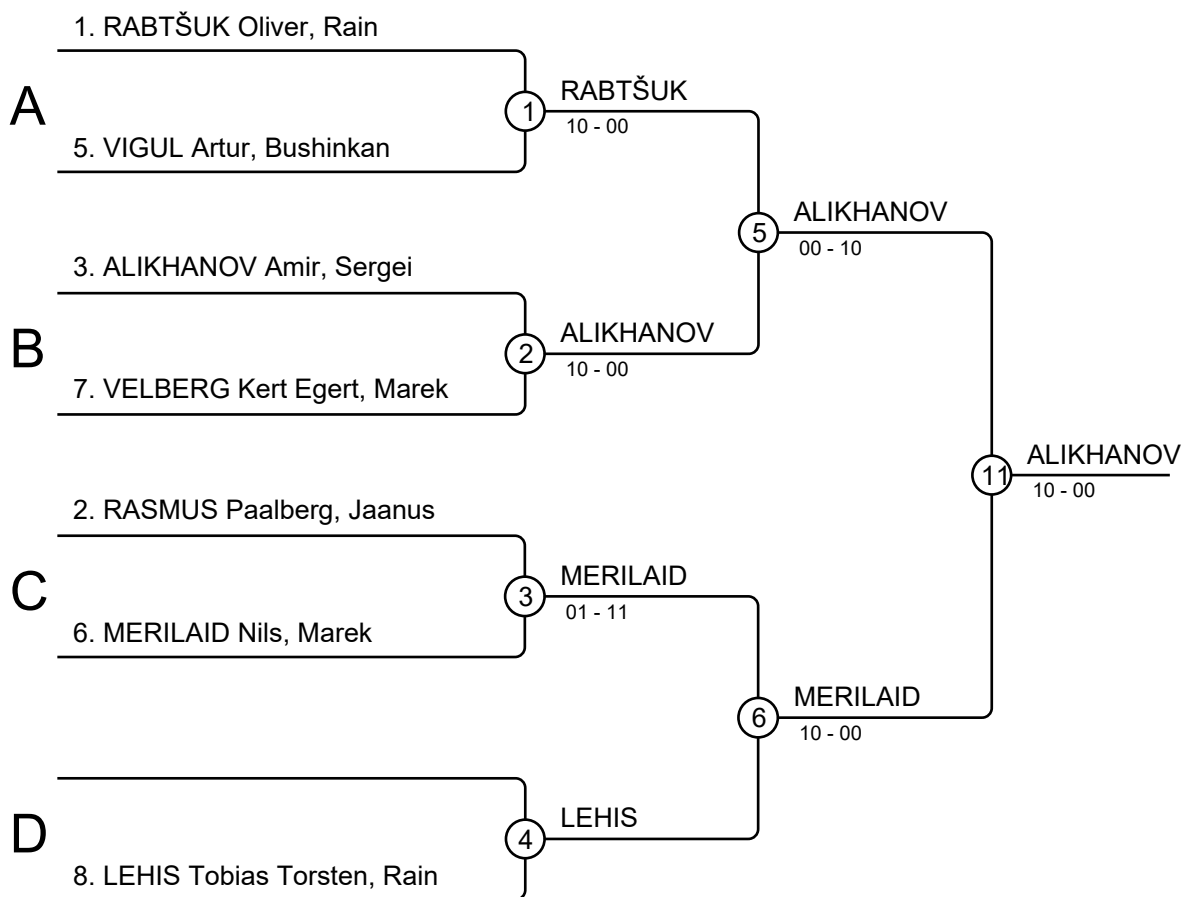
Match	White	Blue	Result	Time
1	VELKS Henry 1 2	SUITS Lukas	00-10	0:35
2	LUNJOV Edvin 3 4	VIRVELAID Grete Maria	10-00	1:38
3	VELKS Henry 1 3	LUNJOV Edvin	00-10	0:15
4	SUITS Lukas 2 4	VIRVELAID Grete Maria	10-00	0:38
5	VELKS Henry 1 4	VIRVELAID Grete Maria	00-10	0:18
6	SUITS Lukas 2 3	LUNJOV Edvin	10-01	0:56

## Results

Pos	Name
1	SUITS Lukas, Rain
2	LUNJOV Edvin, Marek
3	VIRVELAID Grete Maria, Madis
3	VELKS Henry, Rain

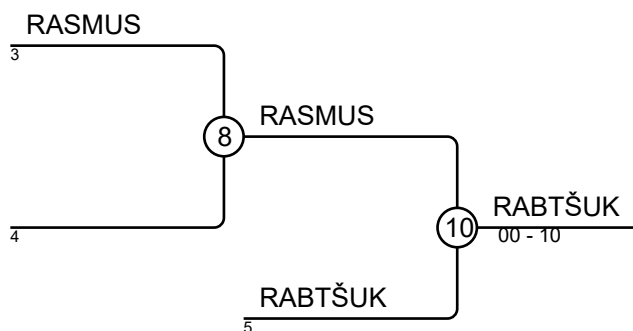
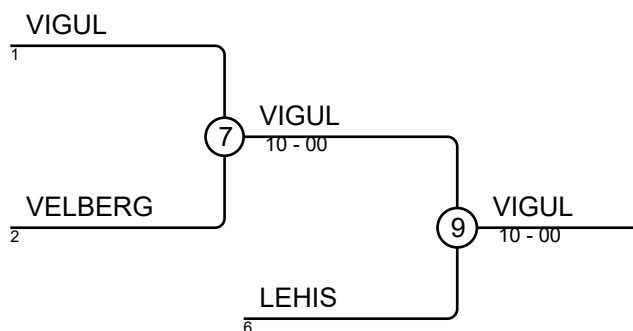
# Hundu Cup 07.04.2019 Tallinn E-33

Competitors: 7



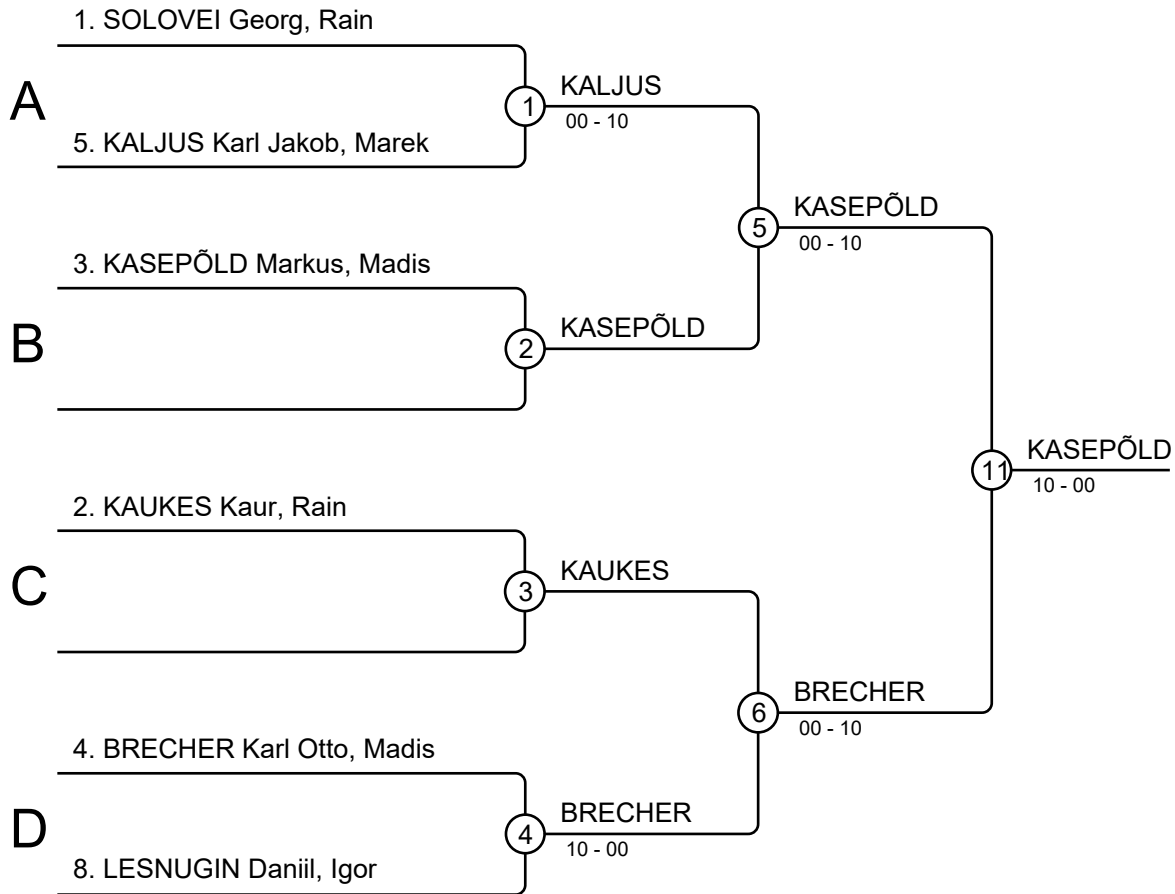
## Results

Pos	Name
1	ALIKHANOV Amir, Sergej
2	MERILAIID Nils, Marek
3	VIGUL Artur, Bushinkan
3	RABTŠUK Oliver, Rain
5	LEHIS Tobias Torsten, Rain
5	RASMUS Paalberg, Jaanus
7	VELBERG Kert Egert, Marek
7	



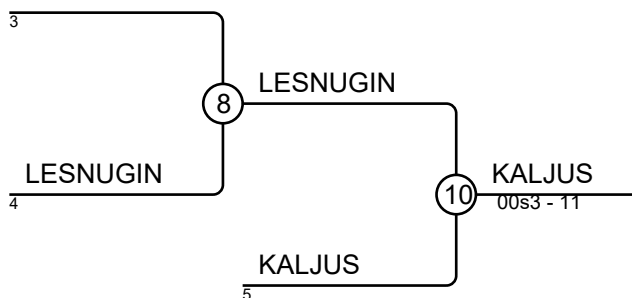
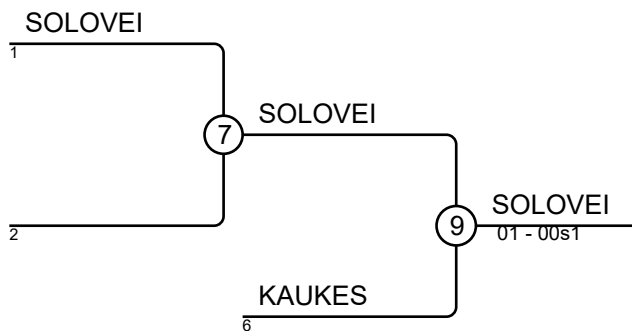
# Hundu Cup 07.04.2019 Tallinn E-29

Competitors: 6



## Results

Pos	Name
1	KASEPÕLD Markus, Madis
2	BRECHER Karl Otto, Madis
3	SOLOVEI Georg, Rain
3	KALJUS Karl Jakob, Marek
5	KAUKES Kaur, Rain
5	LESNUGIN Daniil, Igor
7	
7	





# Hundu Cup 07.04.2019 Tallinn E-25

Competitors: 3

## Competitors

#	Name	Grade	Club	1	2	3	Wins	Pts	Pos
1	KAARE Brait (23,90)	?	Madis		10	10	2	20	1
2	HÄRMS Henri (24,70)	?	Oliver				0	0	3
3	RAIMO Robin-Cristopher (24,50)?		Rain		10		1	10	2

## Matches

Match	White			Blue	Result	Time
1	KAARE Brait	1	2	HÄRMS Henri	10-0	0:00
2	KAARE Brait	1	3	RAIMO Robin-Cristopher	10-0	0:00
3	HÄRMS Henri	2	3	RAIMO Robin-Cristopher	0-10	0:00

## Results

Pos	Name
1	KAARE Brait, Madis
2	RAIMO Robin-Cristopher, Rain
3	HÄRMS Henri, Oliver

# Hundu Cup 07.04.2019 Tallinn E-23

Competitors: 1

## Competitors

#	Name	Grade	Club	1	Wins	Pts	Pos
1	JAANIKS Erik (23,40)	?	Oliver		0	0	1

## Matches

Match	White	Blue	Result	Time
-------	-------	------	--------	------

## Results

Pos	Name
1	JAANIKS Erik, Oliver

# Hundu Cup 07.04.2019 Tallinn D-50

Competitors: 2

## Competitors

#	Name	Grade	Club	1	2	1	2	1	2	Wins	Pts	Pos
1	SAMUILIK Mark (48,40)	?	Bushinkan		1		1			2	2	1
2	TALTS Sander (49,00)	?	Rain							0	0	2

## Matches

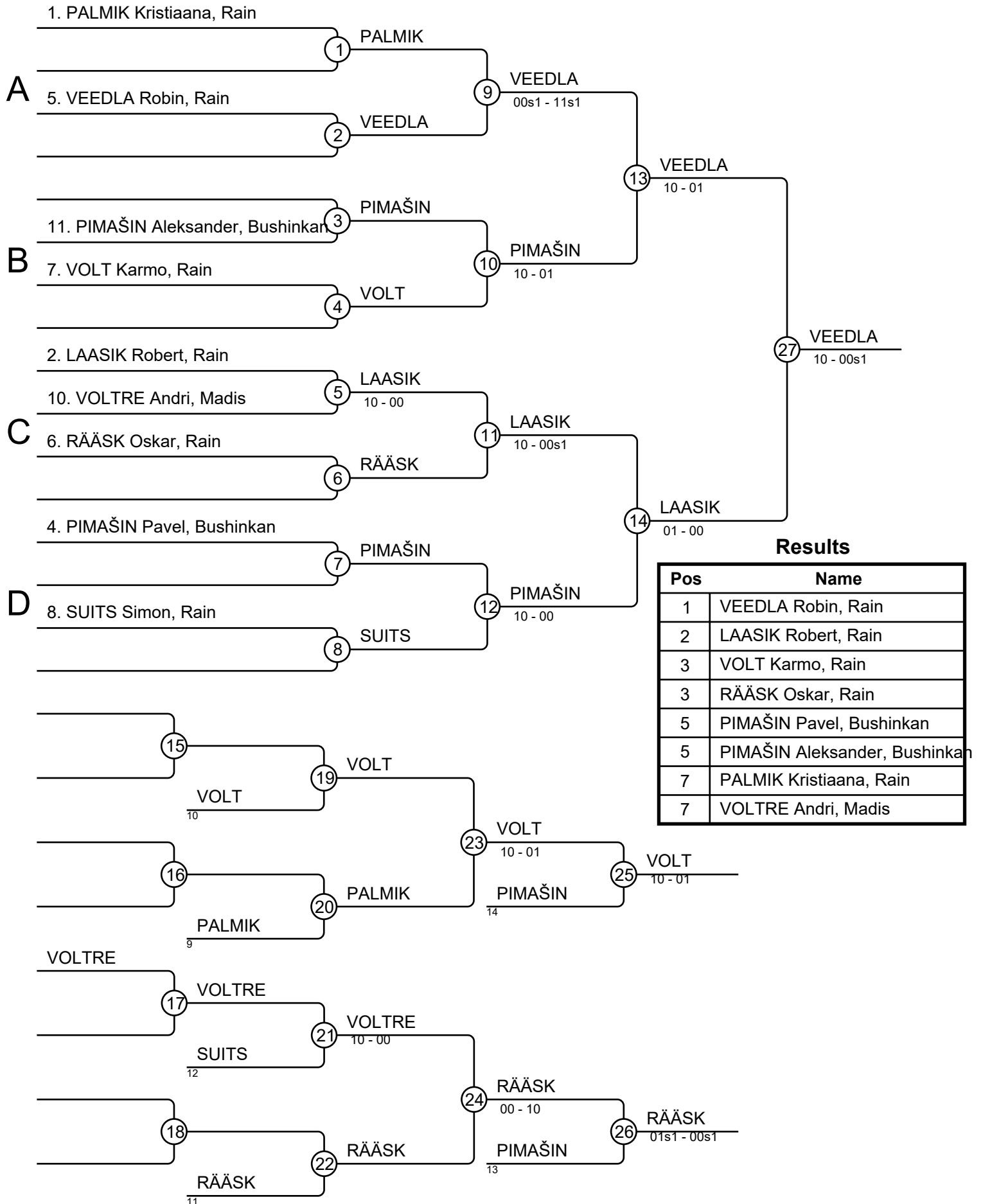
Match	White			Blue	Result	Time
1	SAMUILIK Mark	1	2	TALTS Sander	10-00	3:06
2	SAMUILIK Mark	1	2	TALTS Sander	01-00	3:00
3	SAMUILIK Mark	1	2	TALTS Sander		

## Results

Pos	Name
1	SAMUILIK Mark, Bushinkan
2	TALTS Sander, Rain

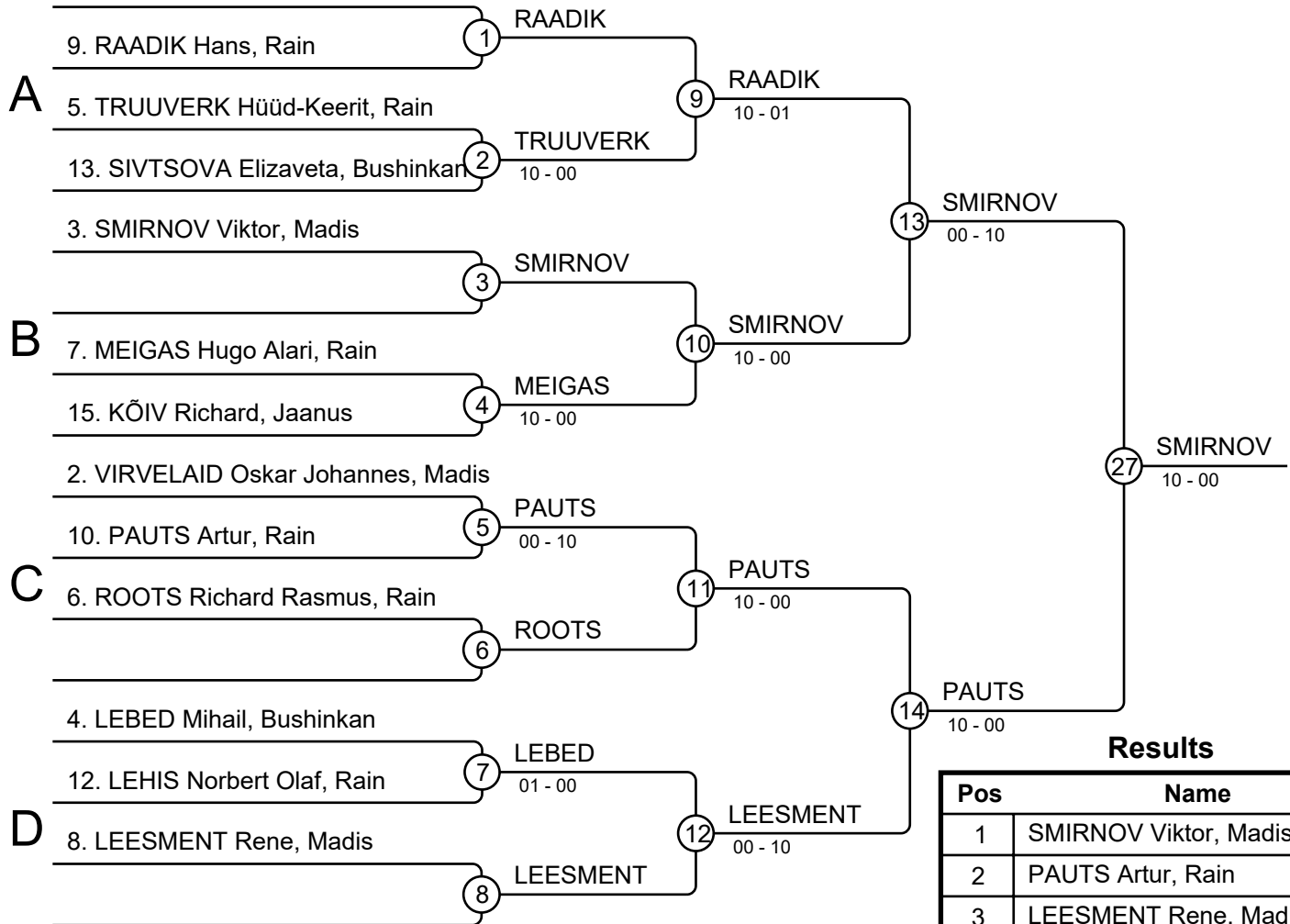
# Hundu Cup 07.04.2019 Tallinn D-46

Competitors: 9



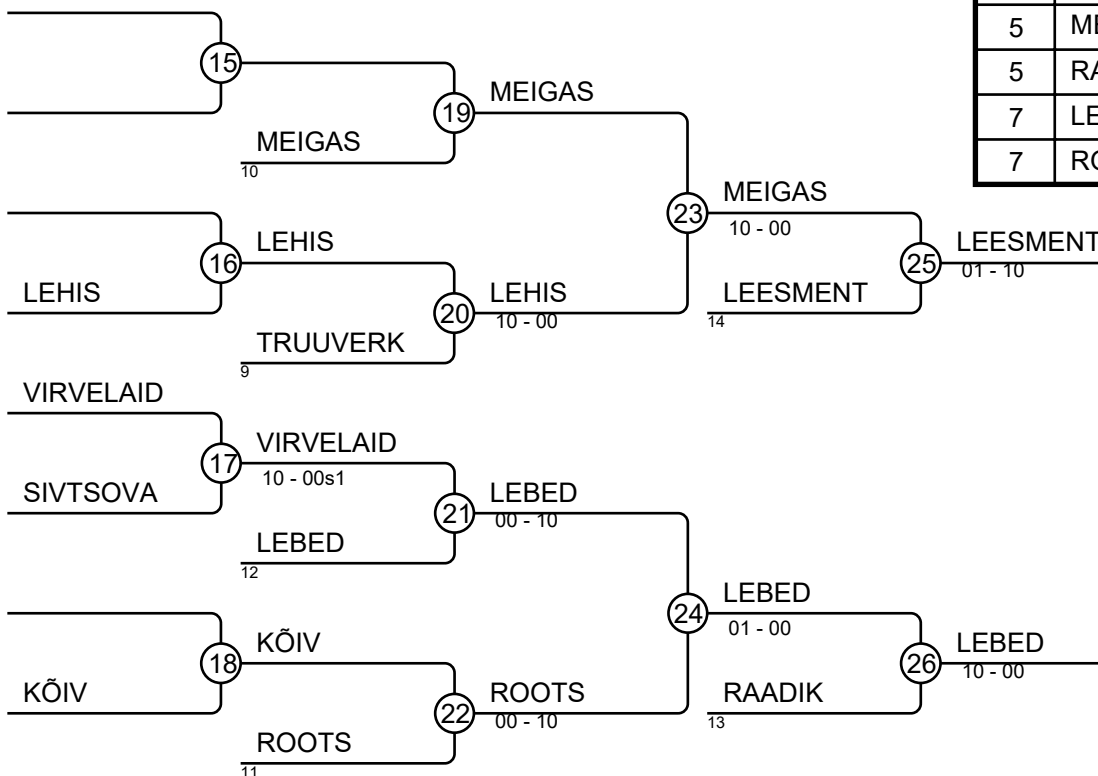
# Hundu Cup 07.04.2019 Tallinn D-42

Competitors: 12



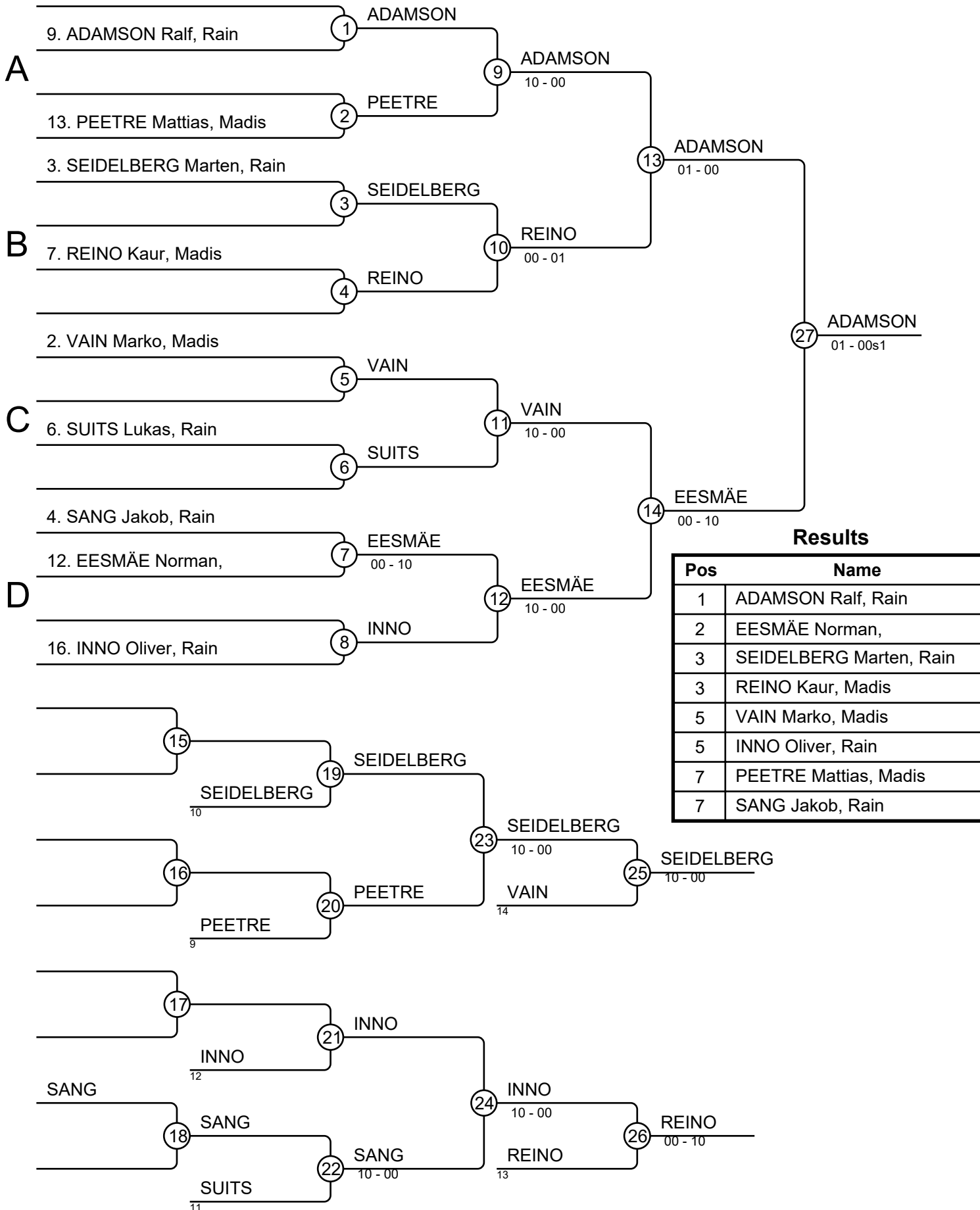
## Results

Pos	Name
1	SMIRNOV Viktor, Madis
2	PAUTS Artur, Rain
3	LEESMENT Rene, Madis
3	LEBED Mihail, Bushinkan
5	MEIGAS Hugo Alari, Rain
5	RAADIK Hans, Rain
7	LEHIS Norbert Olaf, Rain
7	ROOTS Richard Rasmus, Rain



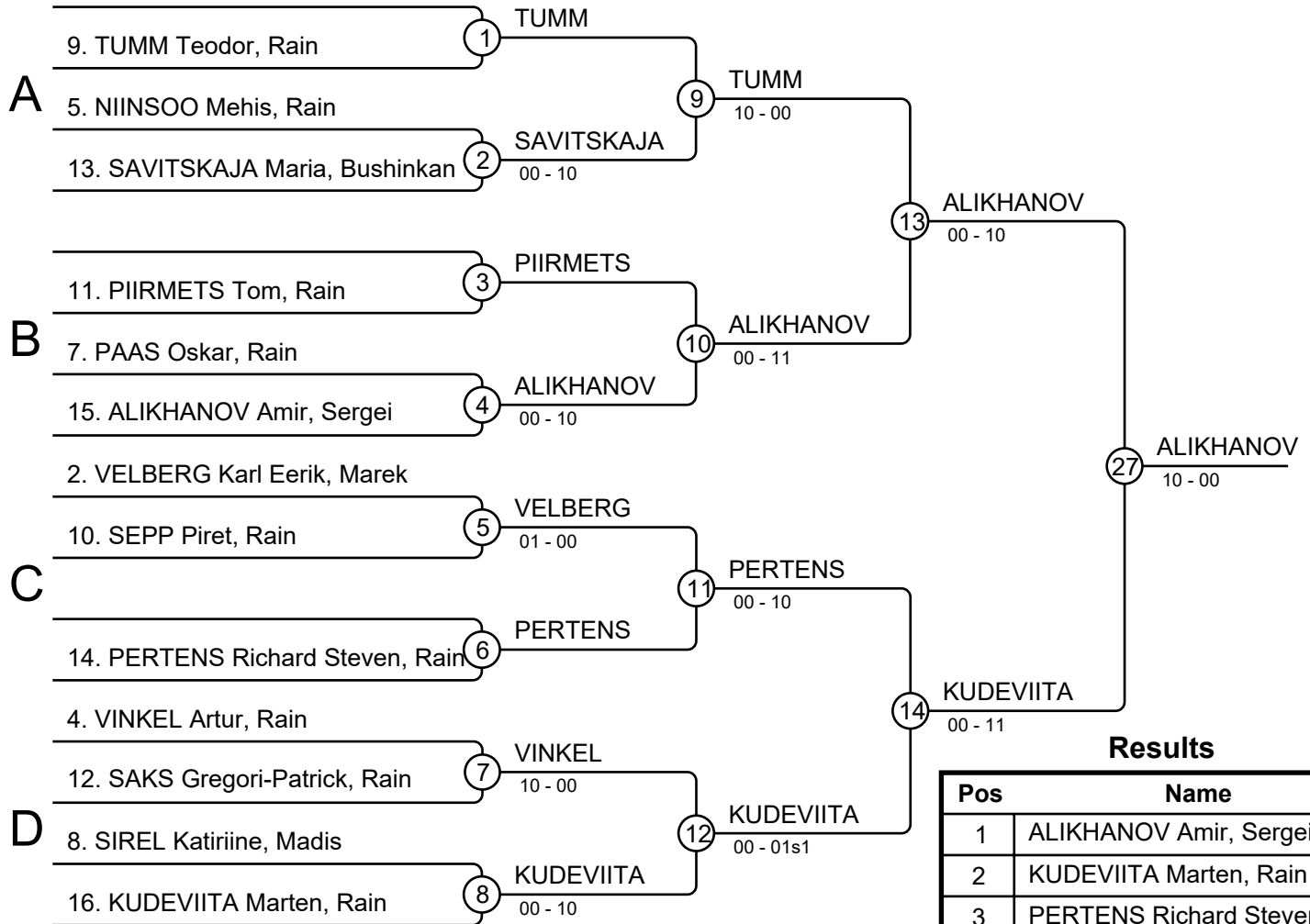
# Hundu Cup 07.04.2019 Tallinn D-38

Competitors: 9



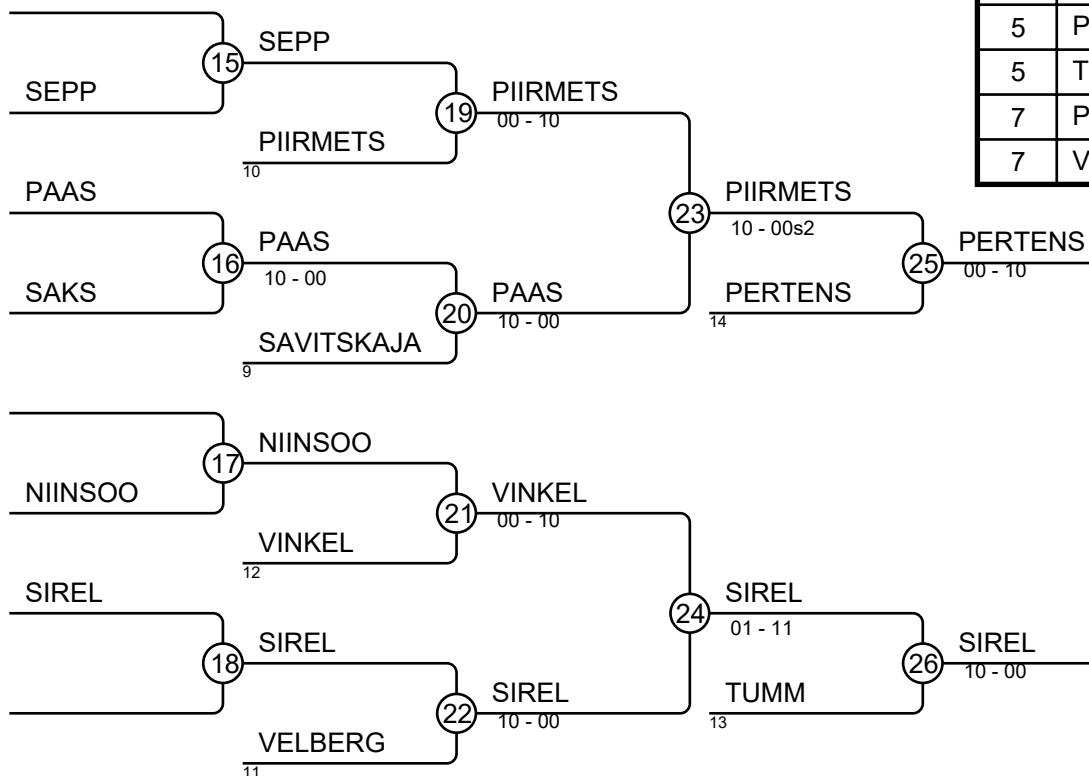
# Hundu Cup 07.04.2019 Tallinn D-34

Competitors: 13



## Results

Pos	Name
1	ALIKHANOV Amir, Sergei
2	KUDEVIITA Marten, Rain
3	PERTENS Richard Steven, Rain
3	SIREL Katiriine, Madis
5	PIIRMETS Tom, Rain
5	TUMM Teodor, Rain
7	PAAS Oskar, Rain
7	VINKEL Artur, Rain



# Hundu Cup 07.04.2019 Tallinn D-30

Competitors: 1

## Competitors

#	Name	Grade	Club	1	Wins	Pts	Pos
1	SEPP Piret (33,40)	?	Rain		0	0	1

## Matches

Match	White	Blue	Result	Time
-------	-------	------	--------	------

## Results

Pos	Name
1	SEPP Piret, Rain



# Hundu Cup 07.04.2019 Tallinn D+50

Competitors: 5

## Competitors

#	Name	Grade	Club	1	2	3	4	5	Wins	Pts	Pos
1	VÄLJA Monika (69,30)	?	Bushinkan			10			1	10	3
2	POOBUS Aleksander (56,90)	?	Bushinkan	10		10			2	20	3
3	KUNIMÄGI William (52,90)	?	Madis						0	0	5
4	BELJAKOV Artjom (54,40)	?	Rain	10	10	10		10	4	40	1
5	JÜRGENSON Georg Samuel (57,20)	?	Rain	10	10	10			3	30	2

## Matches

Match	White	Blue	Result	Time
1	BELJAKOV Artjom 4 5	JÜRGENSON Georg Samuel	10-00	0:34
2	VÄLJA Monika 1 2	POOBUS Aleksander	00-10	0:18
3	KUNIMÄGI William 3 4	BELJAKOV Artjom	00-10s1	1:40
4	VÄLJA Monika 1 5	JÜRGENSON Georg Samuel	00-10	0:43
5	POOBUS Aleksander 2 3	KUNIMÄGI William	10-01	0:52
6	VÄLJA Monika 1 4	BELJAKOV Artjom	00-10	1:21
7	KUNIMÄGI William 3 5	JÜRGENSON Georg Samuel	00-10	1:04
8	POOBUS Aleksander 2 4	BELJAKOV Artjom	01-10	1:37
9	VÄLJA Monika 1 3	KUNIMÄGI William	10-00	0:49
10	POOBUS Aleksander 2 5	JÜRGENSON Georg Samuel	00s1-10s1	3:00

## Results

Pos	Name
1	BELJAKOV Artjom, Rain
2	JÜRGENSON Georg Samuel, Rain
3	POOBUS Aleksander, Bushinkan
3	VÄLJA Monika, Bushinkan
5	KUNIMÄGI William, Madis